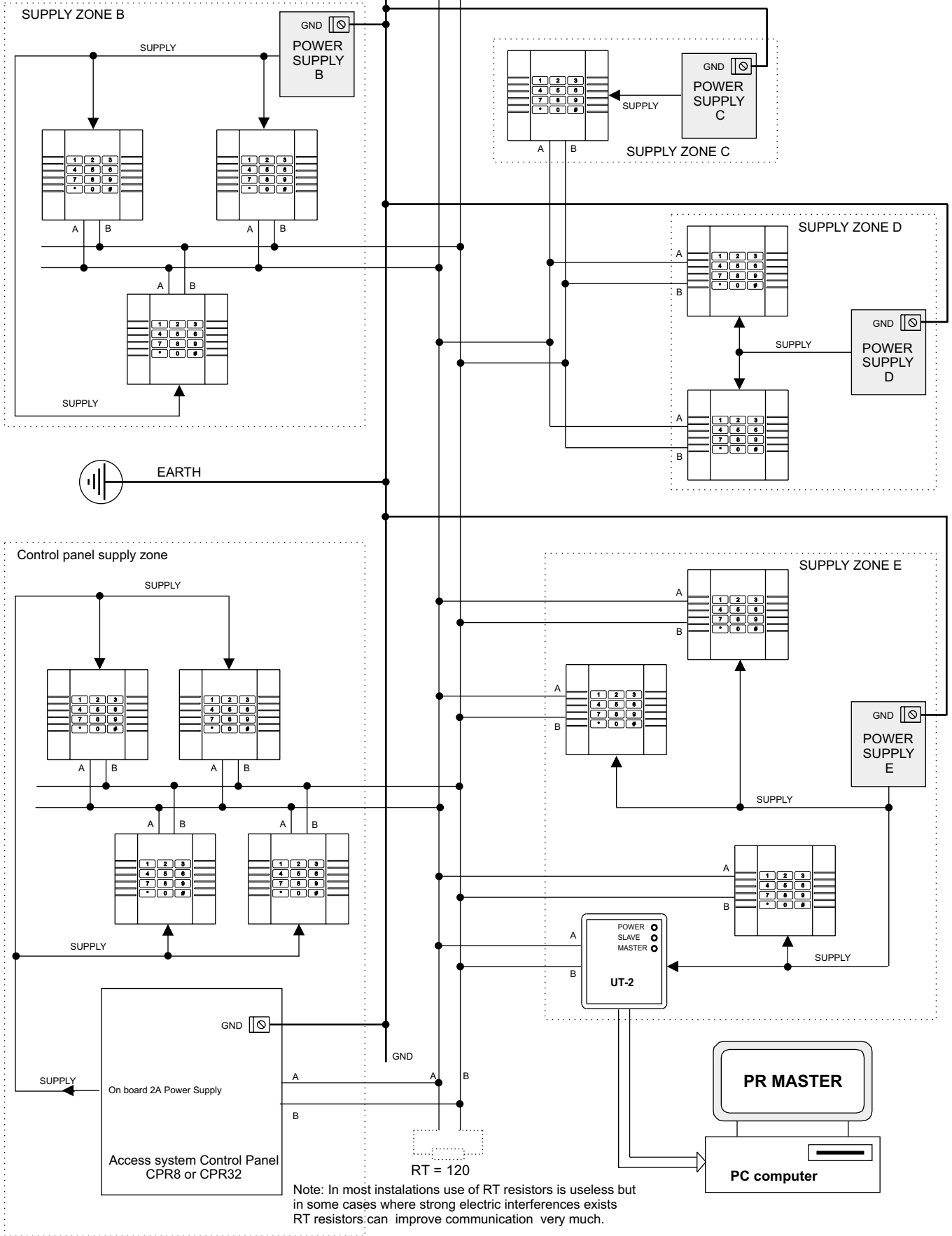


**NOTE:**  
GND terminals of each supply units must be connected with additional wire.

RT = 120

PR system communication bus - max. length 1000m.  
Twisted pair of wires without shielding are preferred.  
Shielded cables can only be used where strong electric interferences exists.



PR access control system with 13 controllers, CPR type control panel and additional 4 power supply units.